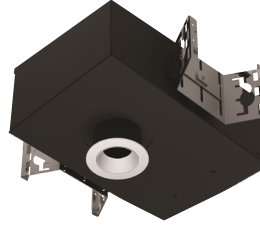


1" acrobat LED Downlight

IC/CCEA New Construction Housing

Round or Square / Trimmed or Trimless



| Wattage | CCT | Delivered Lumens | Efficacy |
|---------|-------|------------------|----------|
| 10W | 3000K | 781lm | 78lpw |

Lumens will vary depending on CCT, optic & lens option

Description

- Acrobat Air Tight IC/Chicago Plenum downlight delivers over 750lm through a 1" aperture with four optical distributions. Delivered lumens are maintained in different ceiling thicknesses.
- No above ceiling access required except for certain specified driver configurations

Field Replaceable LED Light Engine

- 10W LED with 2 SDCM binning
- 2700K, 3000K, 3500K or 4000K at 90 CRI
- Field replaceable optics available in spot, narrow flood, flood or wide flood
- 50,000 hours at 70% lumen maintenance (L70)

Field Replaceable Dimming Driver

- Power factor > 0.9, 50/60Hz
- Multiple dimming drivers available
- Complies with IEEE62.41 surge protection

Housing

18 gauge galvanized steel housing and junction box with 1/2" trade size knockouts. Includes universal butterfly brackets to accommodate C-Channel, adjustable bar hangers, and EMT. C-Channel is recommended for T-bar ceilings and must be ordered separately. Adjustable wood joist bar hangers are included. Max. ambient temperature: 104°F (40°C)

Ceiling Thickness

- Accommodates ceiling thickness from 1/2" to 1-1/4" (Extended 2" collar available, must specify)
- Delivered lumens are maintained through entire range

Trim Style

- Round spun aluminum trim with anodized finishes, consult factory for custom finishes
- Square die-cast aluminum trim with powder coat finishes, consult factory for custom finishes
- Trimless mud plate option available

Accessories

Accommodates (2) accessories, a media holder is required. Accessories are not compatible when used with lensed trim.

Emergency

Remote inverter operates for 90 minutes with remote test switch available, requires above ceiling access.

Listing/Warranty

- Patent pending
- Five (5) year limited warranty
- UL listed to US and Canadian standards for damp locations
- UL listed to US and Canadian standards for wet locations when used with lens
- Meets ASTM E283 standards
- Meets CEC Title 24 JA8 High Efficacy LED requirements
- CCEA approved - Chicago rated



Housing Order Matrix (Example: A1-IC10S-R00-LCB-24)

| Type | Wattage | Driver | Aperture | Trim Style | Rev | Extended Collar | Hanger Bar |
|-------------------------|-----------------|---|---|---|-----------|---|--|
| A1-IC (IC/CP) | 10 (10W) | S^{2,3} (ERP, Universal Dim, Triac/ELV/0-10V 1% 120-277V) L3¹ (Lutron Hi-Lume® Fade-to-Black 1% 120-277V) EL1¹ (EldoLED DALI 1% 120-277V) EL2¹ (EldoLED 0-10V 1% 120-277V) DMX¹ (DMX 1% 120-277V) SR1³ (Remote ERP, Universal Dim, Triac/ELV/0-10V 1% 120-277V) | -R (Round) -S (Square) | (blank) (Flanged) TL (Trimless) | 00 | (blank) (Standard 1-1/4") -2 (Up to 2") | (blank) (Standard) -LCB-24 (24" C-Channel) -LCB-48 (48" C-Channel) |

1. Above ceiling access requires
2. Accessible from below ceiling
3. Forward and reverse phase dimming at 120V only

Trim Order Matrix (Example: A1-1RWH-WH2730-NL-00)

| Trim | Aperture | Reflector Finish | Flange Finish | CCT / CRI | Optic | Lens Type | Rev |
|-------------|---------------------------------------|-------------------------------------|-----------------------------|--|---|--|------------|
| A1-1 | R (Round) S (Square) | WH (White) | (blank) (Trimless) | 27 (2700K / 90 CRI) 30 (3000K / 90 CRI) 35 (3500K / 90 CRI) 40 (4000K / 90 CRI) | 10 (Spot) 30 (Narrow Flood) 50 (Flood) 80 (Wide Flood) | -NL (No Lens - damp location) -FR (Frosted - wet location) -MP (Solite - wet location) -CL (Clear - wet location) | -00 |
| | | CA³ (Clear Alzak) | -WH (White) | | | | |
| | | BL (Black) | -BL (Black) | | | | |
| | | SA (Satin Aluminum) | -SA (Satin Aluminum) | | | | |
| | | BZ (Bronze) | -BZ (Bronze) | | | | |

3. Available in round aperture only

Accessories (Note: Media holder required)

| |
|--|
| A1-MHLDR (Media Holder- required) |
| A1-HEX (Hex Louver) |
| A1-FR (Frosted Lens) |
| A1-MP (Solite Lens) |
| A1-CL (Clear Lens) |
| A1-LS (Linear Spread Lens) |

Optics

| |
|---------------------------------------|
| A1-10-OPTIC (10° Spot) |
| A1-30-OPTIC (30° Narrow Flood) |
| A1-50-OPTIC (50° Flood) |
| A1-80-OPTIC (80° Wide Flood) |

Emergency

| |
|--|
| EM-1000 (25W LED Remote Inverter) |
| EM-1002 (10W LED Remote Emergency Driver) |
| EM-1003 (35W LED Remote Inverter) |
| EM-1004 (50W LED Remote Inverter) |

1" acrobat LED Downlight
IC/CCEA New Construction Housing
 Round or Square / Trimmed or Trimless

Catalog #:

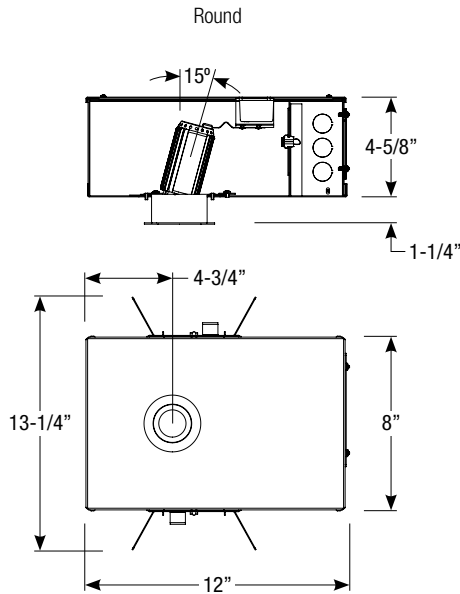
Type:

Project:

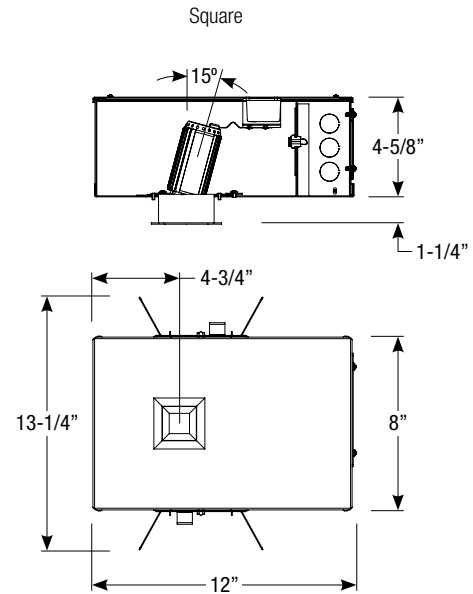
Date:

Notes:

Housing Dimensions

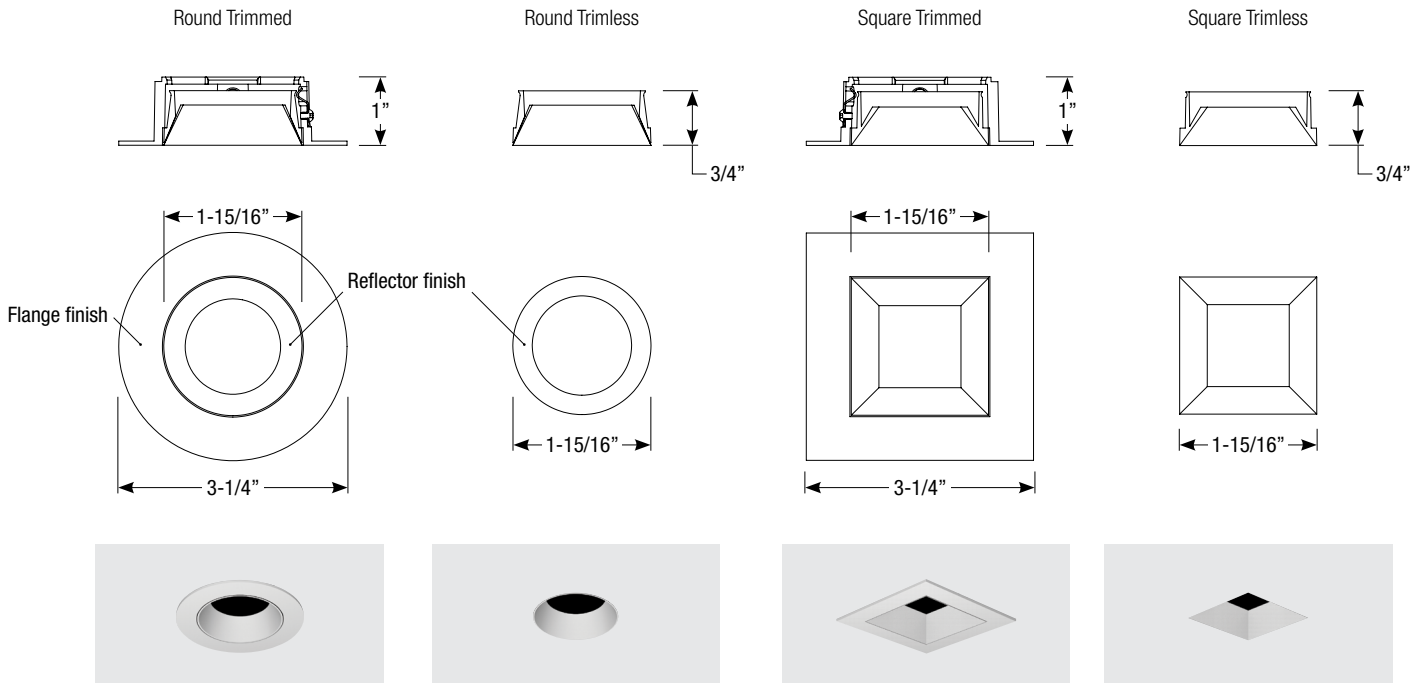


Ceiling Cut-out: 2-5/8" Ø



Ceiling Cut-out: 2-5/8" x 2-5/8"

Trim Dimensions



Spec-00044 Revised 10/24/2022